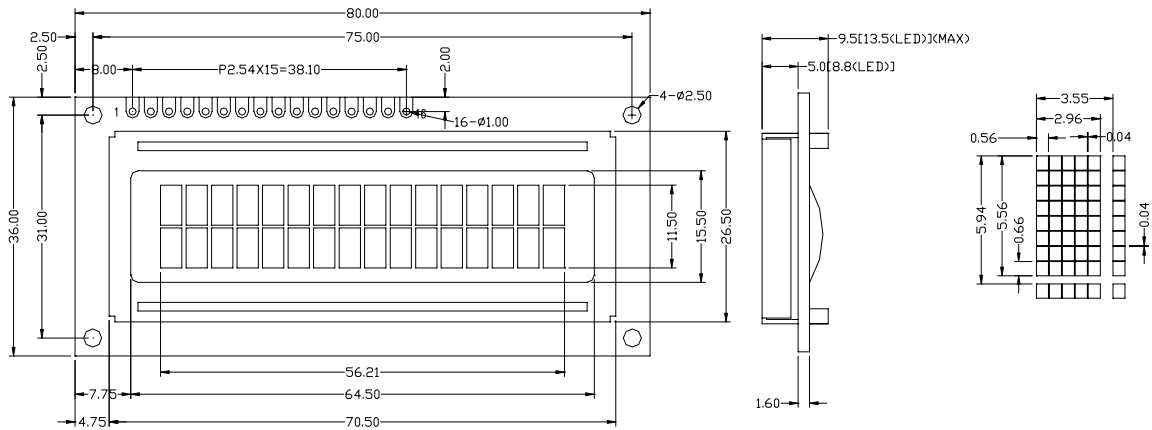


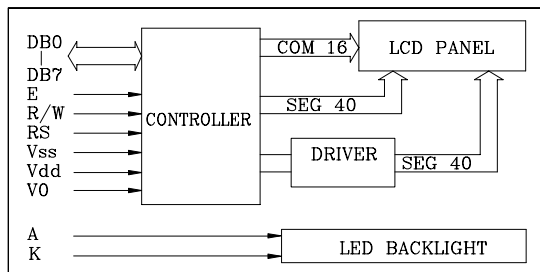


EXTERNAL DIMENSIONS:

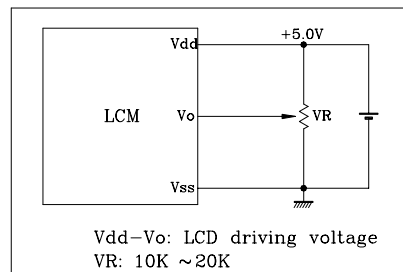
[] For LED Backlight



BLOCK DIAGRAM:



POWER SUPPLY:



MECHANICAL SPECIFICATIONS

ITEM	SPECIFICATION	UNIT
Module Size (WxHxT)	80x36x9.5[13.5]	mm
Viewing Area (WxH)	64.5x15.5	mm
Character Font (WxH)	5x7+cursor	dots
Character Size (WxH)	2.96x5.56	mm
Character Pitch (WxH)	3.55x5.94	mm
Dot Size (WxH)	0.56x0.66	mm
Character Type	Eng/Jap, Eng/Eur, Eng/Rus	
LCD MODE	STN(Y/G,Gray,Blue),FSTN	

PIN ASSIGNMENT

PIN	SYMBOL	FUNCTION
1	Vss	Power Supply (0V)
2	Vdd	Power Supply (+5V)
3	Vo	Contrast Adjust
4	RS	Data/Instruction Register Select
5	R/W	Read/Write
6	E	Enable Signal
7~14	DB0~DB7	Data bus Line
15	A	Power Supply for LED BL (+)
16	K	Power Supply for LED BL (-)

ABSOLUTE MAXIMUM RATINGS

PARAMETER	SYMBOL	MIN.	MAX.	UNIT
Power Supply (logic)	Vdd-Vss	-0.3	7.0	V
Power Supply (LCD)	Vdd-Vo	3.0	13.0	V
Input Voltage	Vi	-0.3	Vdd+0.3	V
Operating Temperature	Topr	0	50	°C
Storage Temperature	Tstg	-20	70	°C

ELECTRICAL CHARACTERISTICS (Ta=25°C)

ITEM	SYMBOL	CONDITION	MIN.	TYP.	MAX.	UNIT
Power Supply (logic)	Vdd	-	4.5	5.0	5.5	V
Supply Current (logic)	Idd	VDD=5.0V	0	1.5	3.0	mA
Driving Voltage (LCD)	Vdd-Vo		4.4	4.7	5.0	V
Driving Current (LCD)	Ilcd		0	-	0.8	mA
Input Voltage "H"	Vih		2.2	-	Vdd	V
Input Voltage "L"	Vil		-0.3	-	0.6	V
Output Voltage "H"	Voh		Ioh=-0.205mA	2.4	-	-
Output Voltage "L"	Vol	Iol=1.2mA	-	-	0.4	V

LED BACKLIGHT SPECIFICATIONS

PARAMETER	TYP.	ITEM	TYP.
Forward Voltage	4.2V	Power Dissipation	462mW
Forward Current	100mA	Emission Wavelength	570nm