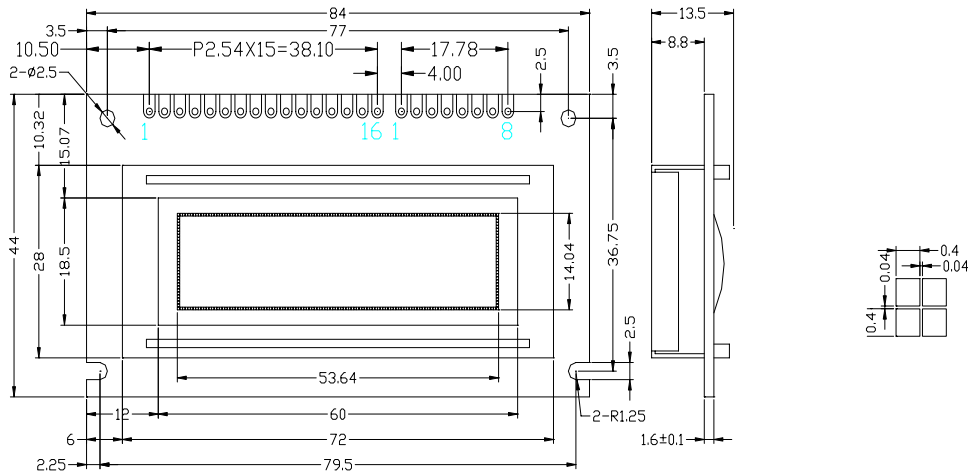


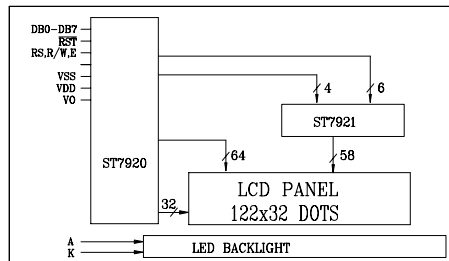


• EXTERNAL DIMENSIONS:

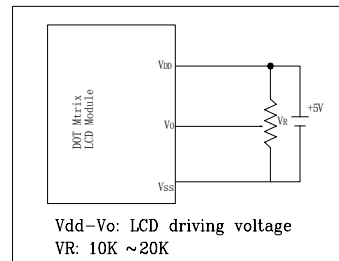
[] For LED Backlight



• BLOCK DIAGRAM:



• POWER SUPPLY:



MECHANICAL SPECIFICATIONS

ITEM	SPECIFICATION	UNIT
Module Size (WxHxT)	84.0x44.0x9.2[13.5]	mm
Viewing Area (WxH)	60.0x18.5	mm
Dot Number (WxH)	122x32	dots
Dot Size (WxH)	0.4x0.4	mm
Dot Pitch (WxH)	0.44x0.44	mm

ABSOLUTE MAXIMUM RATINGS

PARAMETER	SYMBOL	MIN.	MAX.	UNIT
Power Supply (logic)	Vdd-Vss	-0.3	7.0	V
Power Supply (LCD)	Vdd-Vo	0.3	15.0	V
Input Voltage	Vi	-0.3	Vdd+0.3	V
Operating Temperature	Topr	0	50	°C
Storage Temperature	Tstg	-20	70	°C

PIN ASSIGNMENT

PIN	SYMBOL	FUNCTION
1	Vss	Power Supply (0V)
2	Vdd	Power Supply (+5V)
3	Vo	Contrast Adjust
4	RS	Data/Instruction Register Select
5	R/W	Read/Write
6	E	Enable Signal 1
7~14	DB0~DB7	Data bus Line
15	A	Power Supply for LED BL (+)
16	K	Power Supply for LED BL (-)
Con2		
1~8		Serial I/O

ELECTRICAL CHARACTERISTICS (Ta=25°C)

ITEM	SYMBOL	CONDITION	MIN.	TYP.	MAX.	UNIT
Power Supply (logic)	Vdd	-	4.5	5.0	5.5	V
Supply Current (logic)	Idd	VDD=5.0V	0	3.0	-	mA
Driving Voltage (LCD)	Vdd-Vo		9.0	9.5	10.0	V
Driving Current (LCD)	Ilcd		0	2	-	mA
Input Voltage "H"	Vih		2.2	-	Vdd	V
Input Voltage "L"	Vil		-0.3	-	0.6	V
Output Voltage "H"	Voh		Ioh=-0.205mA	2.4	-	-
Output Voltage "L"	Vol	Iol=1.2mA	-	-	0.4	V

LED BACKLIGHT SPECIFICATIONS(SIZE TYPE)

PARAMETER	TYP.	ITEM	TYP.
Forward Voltage	4.2V	Power Dissipation	504mW
Forward Current	120mA	Emission Wavelength	nm